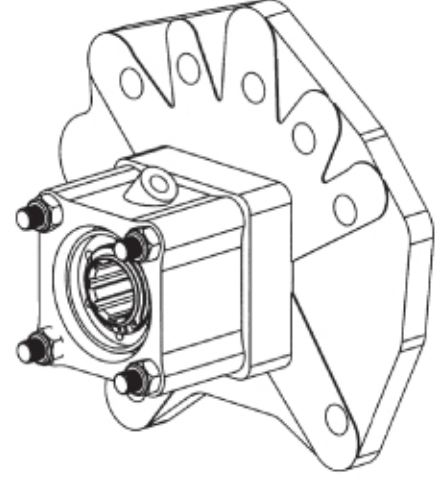
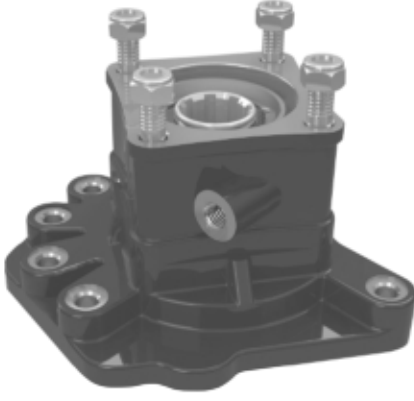
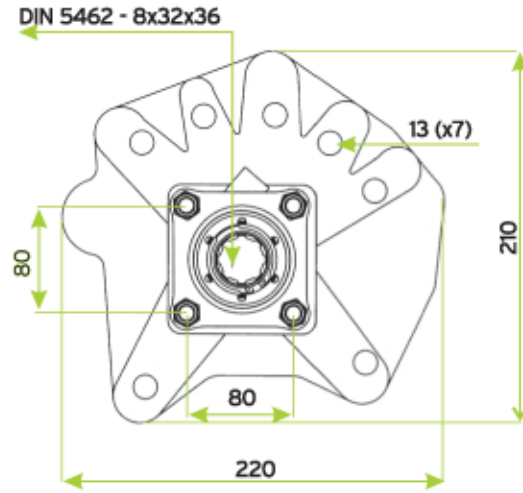
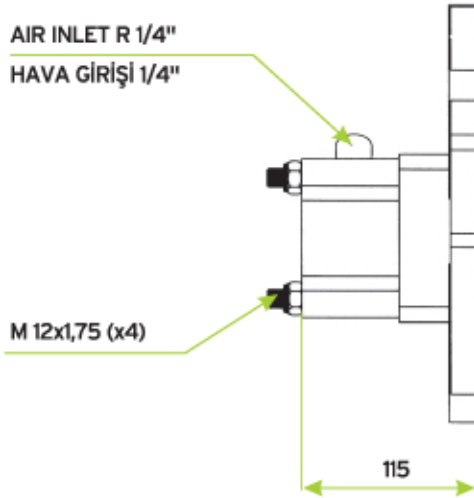


MERCEDES G100



KODU CODES 710121



GENEL BİLGİLER / GENERAL DATA

| P.T.O KODU<br>P.T.O CODE | Tork<br>Torgue     | Güç (1000 rpm)<br>Power | Devir<br>Speed     | Oran<br>Ratio | Ağırlık<br>Weight  | Bağlantı<br>Mounting | Kumanda<br>Control  | Dönüş *<br>PTO Rotation* |
|--------------------------|--------------------|-------------------------|--------------------|---------------|--------------------|----------------------|---------------------|--------------------------|
| 710121                   | 24 Kgm<br>235,5 Nm | 16 Hp<br>12 Kw          | 500 rpm<br>500 rpm | 1/1<br>1/1    | 10,5 kg<br>23,3 lb | Kuyruk<br>Rear       | Havali<br>Pneumatic | Sağ - ISO<br>Right - ISO |

ANA ŞANZIMAN / MAIN GEARBOX

G 100

KULLANILAN BAZI ARAÇLAR / .....

1528 - 1823 - 1828 - 1924 - 2523 - 2528 - 2623 - 2628 - 2832 3224  
3228 AXOR  
1223 - 1323 - 1523 - 1328 - 1828 - 2528 - 2628 ATEGO